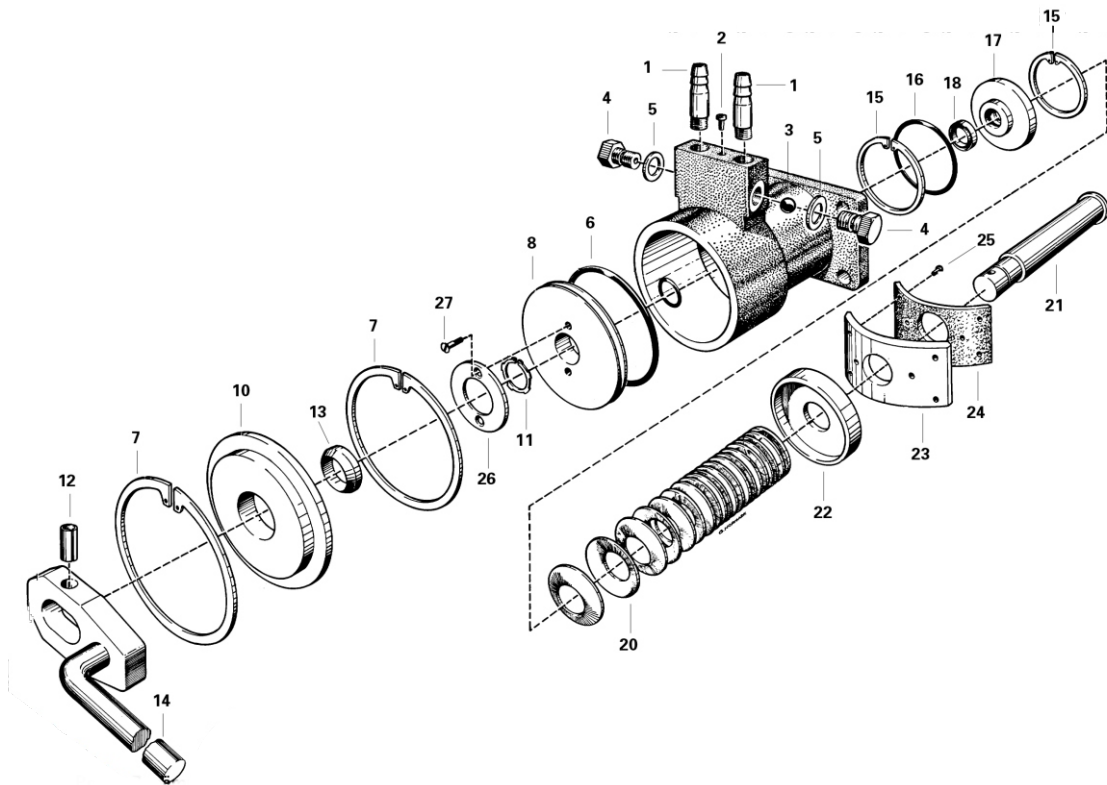


7. Compl. Brake



| No. | Description | Designation | Ref. Part No. | QTY |
|-------|-----------------------|-----------------|---------------|-----|
| 1 -27 | Compl. brake cylinder | | 0275684000 | 1 |
| 1 | Hose nipple | | 0471082000 | 2 |
| 2 | Screw | MCS 6x12-5.8-fz | 3000076366 | 1 |
| 3 | Ball | | 3000131035 | 1 |
| 4 | Valve seat | | 0471085000 | 2 |
| 5 | Copper washer | | 3000740810 | 2 |
| 6 | O-ring | | 3000136523 | 1 |
| 7 | Circlip | SgH 120 | 3000133171 | 2 |
| 8 | Piston | | 0475687000 | 1 |
| 9 | O-ring | | 3000136404 | 1 |
| 10 | Cover | | 0475686000 | 1 |
| 11 | Circlip | A25x1,2K | 3000730128 | 1 |
| 12 | Tension pin | FRP 10x50 | 3000134421 | 1 |
| 13 | Seal | | 3001026101 | 1 |
| 14 | Brake opening lever | | 0471086000 | 1 |
| 15 | Circlip | SgH 90 | 3000133160 | 2 |
| 16 | O-ring | | 3000136430 | 1 |
| 17 | Cylinder bottom | | 0471089000 | 1 |
| 18 | Seal | | 3001078810 | 1 |
| 19 | Brake cylinder | | 0275688000 | 1 |
| 20 | Cup spring | | 0484562000 | 20 |
| 21 | Brake shaft | | 0471080000 | 1 |
| 22 | Pressure plate | | 0471084000 | 1 |
| 23 | Brake shoe | | 0478201000 | 1 |
| 24* | Brake lining | | 0472200000 | 1 |
| 25* | Blind rivet | Alu-F-6x16 | 3000506904 | 6 |
| 26 | Support washer | | 0477472000 | 1 |
| 27 | Slotted screw | MFS 4x10-5.8-fz | 3000077289 | 2 |

* Ingår i pos. 23 / Included in item 23 / Geht in Pos. 23 ein.