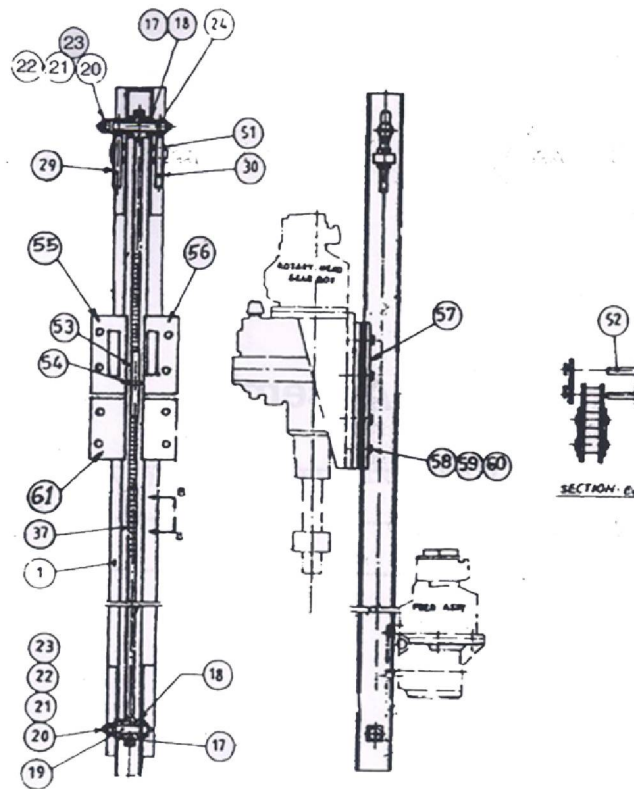


1.a. Drill Guide Assembly (DTH) 70615216



No.	Description	Ref. Part No.	QTY
1	Guide Bare	70613211	1
17	Sprocket	70615349	2
18	Bushing	70615364	2
19	Shaft, Sprocket	50781335	1
20	Nut Castle, 3/4" Bsw	94052743	2
21	Washer 3/4"	94041662	2
22	Pin, Cotter	94052750	2
23	Fltting, Grease	94050655	2
24	Shaft, Sprocket	50781327	1
29	Bolt, Adjusting	50783976	1
30	Bolt, Adjusting	50783984	1
37	Chain, Feed	70614615	1
51	Nut 1.3/4" Bsw	94041274	4
52	Link, Connecting	94128733	2
53	Chain Joint Piece	94049798	1
54	Pin, Anchor	94198298	1
55	Plate, Side Rh	70613823	1
56	Plate, Side Lh	70613831	1
57	Plate, Guide	70613849	2
58	Bolt M16x 65long	94037025	10
59	Nut M16	94037611	10
60	Nut Lock M16	94052511	10
61	Plate, Side	70613955	2