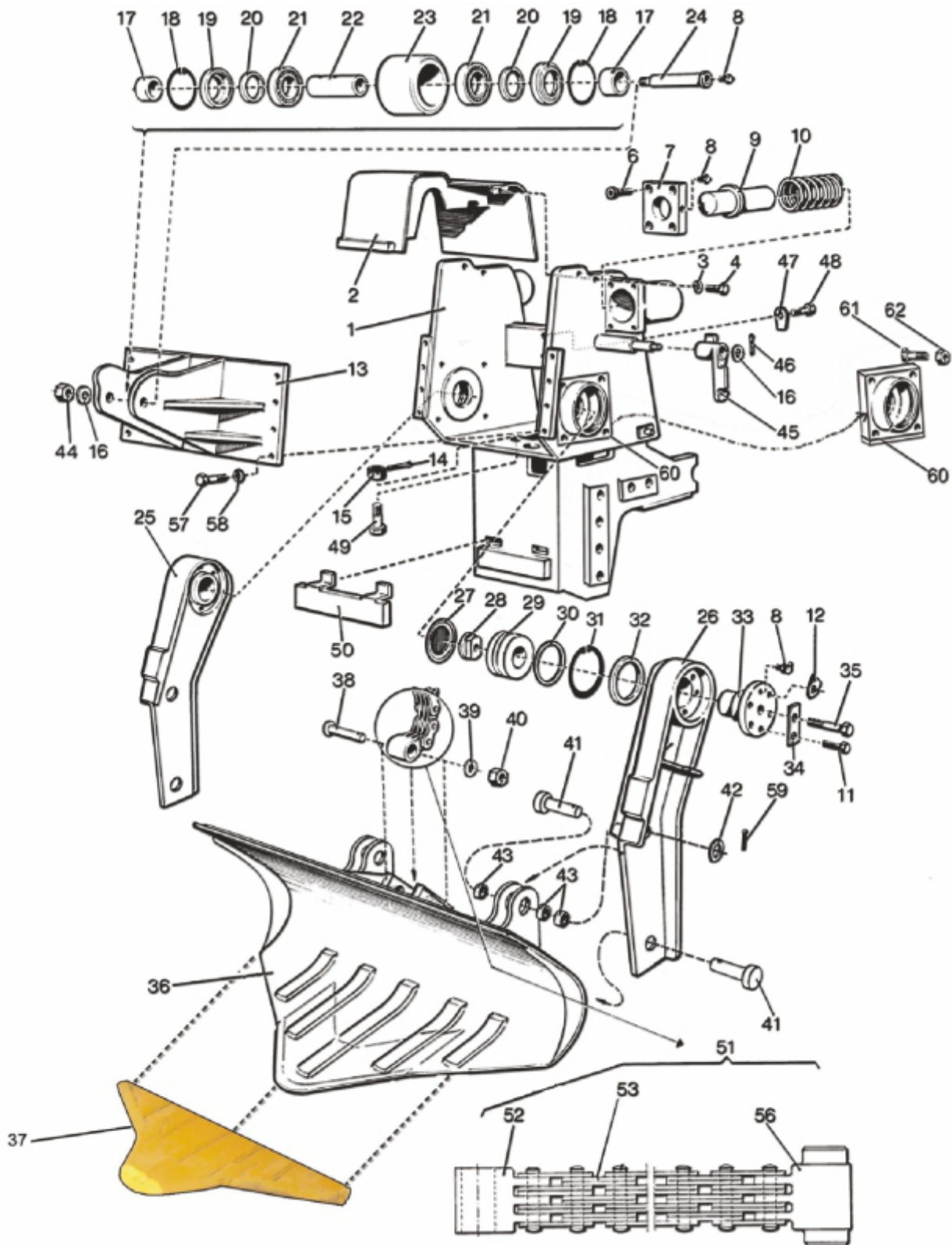


4. Bucket Operating System



4. Bucket Operating System

No.	Description	Modified		Ref. Part No.	QTY
1	Frame	5112056901	*	M10140	1
2	Cover			5112036200	1
3	Spring Washer			0333213000	2
4	Screw			0147136400	2
6	Screw			0211147300	8
7	Cover	5112058700	*	M10146	2
8	Grease Nipple/ Lubricating Nipple	0544216200	*	M9040	5
9	Buffer			5112011800	2
10	Spring			5112098500	2
11	Screw			0147147700	10
13	Bracket			5112111000	1
14	Split Pin			0111137900	5
15	Nut			0281136800	5
16	Washer			0301221000	2
17	Spacer			5112013400	2
18	Circlip			0335216500	2
19	Spacer			5112013500	2
20	Seal Ring			0666443700	2
21	Bearing			0508230800	2
22	Spacer			5112013600	1
23	Idler Roller			5112013300	1
24	Axle			5112013200	1
25	Rocker Arm Right			5112110500	1
26	Rocker Arm Left			5112110400	1
27	Spacer			5112030900	2
28	Lock Nut			5112031000	2
29	Spherical Bearing (3 Piece)	0506511100	*	M10168	2
30	Spacer			5112012100	2
31	Circlip			0335217600	2
32	Seal Ring			0666472500	2
33	Axle			5112031300	2
34	Lock Washer			5112031200	2
35	Screw			5112031100	2
36	Bucket			5112110200	1
37	Bucket Lip only	5112089000	*	M10176	1
-	Bucket Lip (Complete) as shown in Fig.			-	1
38	Bolt		*	M10177	1
39	Washer			5112039200	1
40	Nut		*	M10179	1
41	Pin			5112105700	4
42	Washer			5112110700	4
43	Bushing			5112105600	12
44	Nut			0291111800	1
45	Hook			5112024805	1
46	Split Pin			0111144900	1
47	Lock Washer			5091436300	2
48	Screw			0147154900	2
49	Screw			5112029900	5
50	Buffer			5112029300	1
51	Chain Complete			5112029182	1
52	- End Link			5112039300	1
53	- Chain (Not Delivered Separately)			-	1
56	- End Link			5103041600	1
57	Screw			0147147900	8
58	Spring Washer	0333214300	*	M9025	8
59	Split Pin			0111158000	4
60	Bearing Housing		*	M10651	2
61	Bolt		*	M10652	8
62	Nut		*	M10653	8
	Chain Roller Complete			-	1

Note : ① Reference Part Number Starting With 'M' - Is Modified