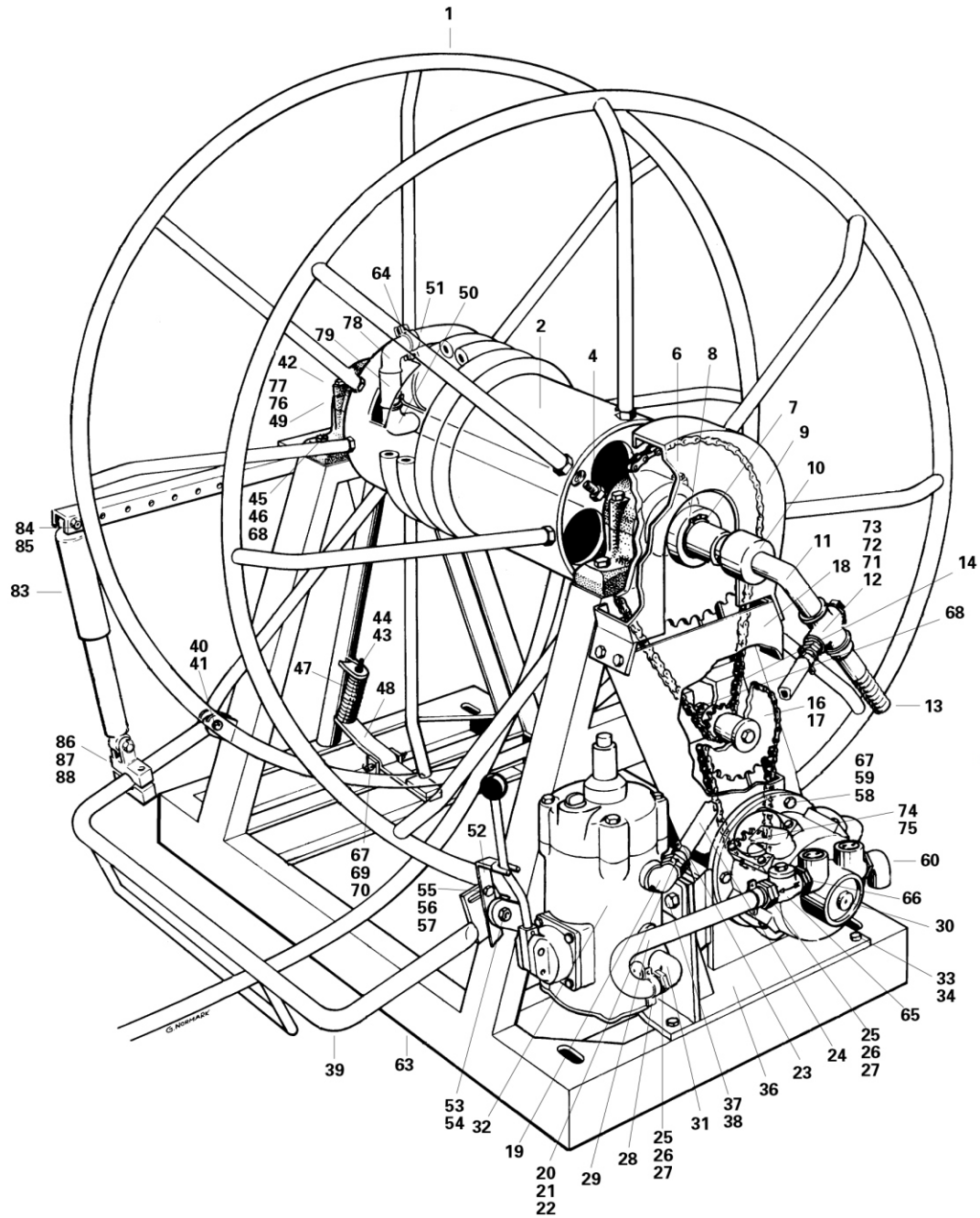


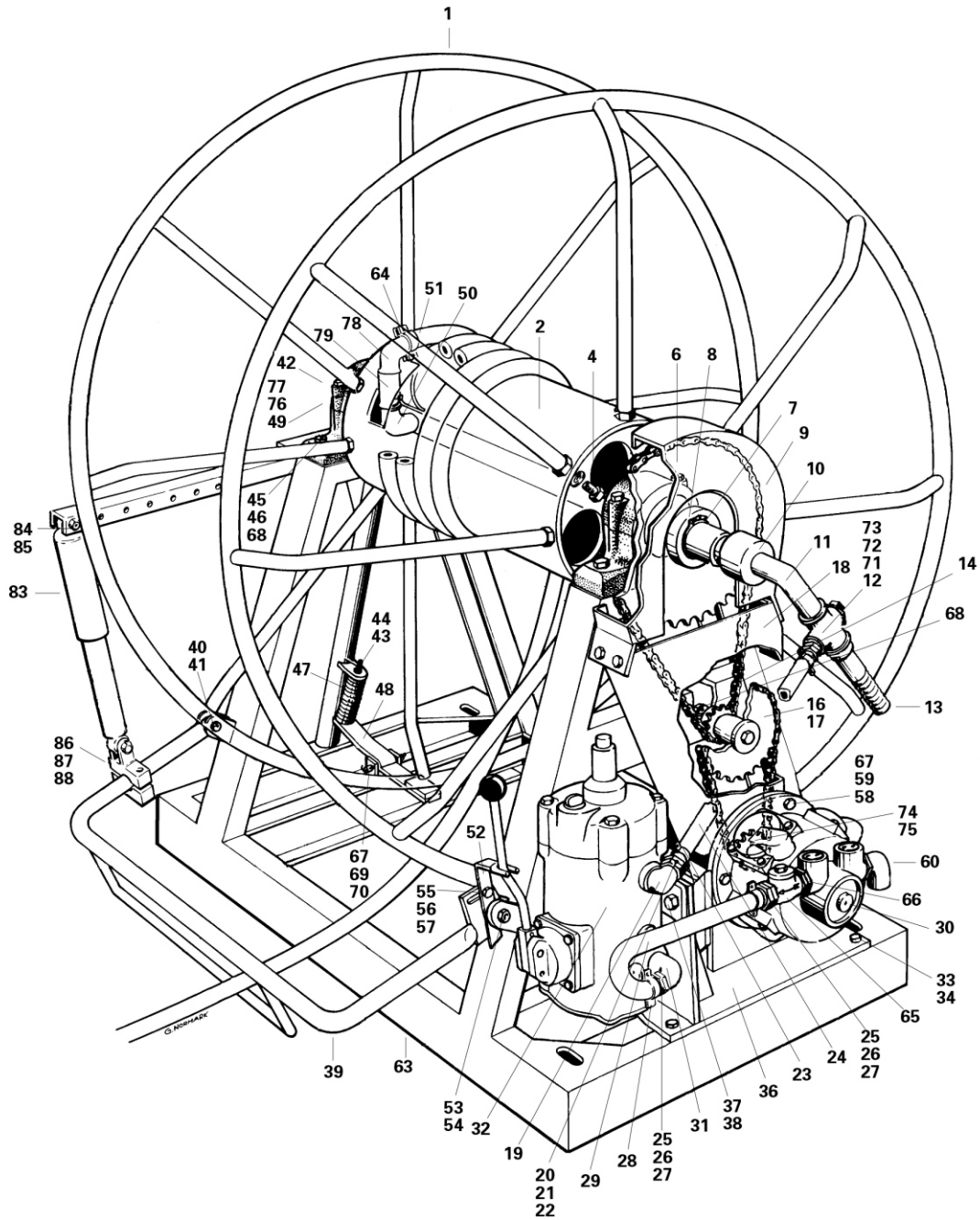
11. Compl. Reel



11. Compl. Reel

No.	Description	Designation	Ref. Part No.	QTY
1 – 88	Compl. reel		0176099000	1
1	Gable		0218559000	2
2	Hose drum		0276620000	1
3				
4	Screw	M6S 20x40-8.8-fz	3000071672	16
5				
6	Chain wheel		0318555000	1
7	Flat key		3000742619	1
8	Groove ring	SgA 60	3000132147	2
9	Chain cover, upper		0276103000	1
10	Swivel coupling		0476025000	1
11	Pipe		3000838318	1
12	Cross pipe		3000839518	1
13	Hose nipple		0472488000	1
14	Chain w. lock		0486708000	1
15				
16	Chain wheel		0375859000	1
17	Chain w. lock		0486709000	1
18	Chain cover, lower		0276104000	1
19	Angle		3000839216	1
20	Hexagon nipple		0415998000	2
21	Hose nipple		0416002000	1
22	Nut		0415997000	2
23	Hose clamp		3000931197	2
24	Hose		3000900406	0.25 m
25	Hexagon nipple		0415998000	2
26	Hose nipple		0416002000	2
27	Nut		0415997000	2
28	Hose clamp		3000931197	2
29	Hose		3000900406	0.75 m
30	Air motor(K-14S)		9013834103	1
31	Angle		3000839216	1
32	Control valve		0146066000	1
33	Screw	M6S 12x40-8.8-fz	3000071540	4
34	Lock nut	L-K M6M 12-8.-fz	3000438122	4
35				
36	Motor and valve plate		0176101000	1
37	Screw	M6S 12x50-8.8-fz	3000071542	2
38	Lock nut	L-K M6M 12-8.-fz	3000438122	2
39	Control lever		0276102000	1
40	Screw	M6S 16x50-8.8-fz	3000071630	1
41	Lock nut	L-K M6M 16-8.-fz	3000438124	1
42	Plug		0476502000	1
43	Adjusting screw		0470827000	1
44	Nut	M6M 16-8.-fz	3000081124	1
45	Screw	M6S 16x70-8.8-fz	3000071634	4
46	Lock nut	L-K M6M 16-8.-fz	3000438124	4
47	Compression spring		0419089000	1
48	Breaking arm w. lining		0470619000	1
	Brake lining		0476574000	1
	Rivet	Alu F 6x16	3000506904	2
49	Bearing housing		3000130513	2
50	Angle		3000839218	1
51	Hose nipple	Ø 40 mm	0419774000	1
	Hose nipple	Ø 32 mm	0470790000	1
52	Control link		0476105000	1
53	Screw	M6S 16x65-8.8-fz	3000071633	1

11. Compl. Reel



11. Compl. Reel

No.	Description	Designation	Ref. Part No.	QTY
54	Lock nut	L-K M6M 16-8.-fz	3000438124	1
55	Screw	M6S 8x40-8.8-fz	3000071459	1
56	Lock nut	L-K M6M 8-8.-fz	3000438118	1
57	Washer	BRB 8.4x16-fz	3000091165	1
58	Screw	M6S 12x60-8.8-fz	3000071544	4
59	Lock nut	L-K M6M 12-8.-fz	3000438122	4
60	Angle		3000839216	2
61	Screw	M6S 8x20-8.8-fz	3000071451	5
62	Lock nut	L-K M6M 8-8.-fz	3000438118	1
63	Frame		0176100000	1
64	Hose clamp		3000931198	1
65	Check valve		0476275000	1
66	Hexagon nipple		3000840116	1
67	Washer	BRB 13x24-fz	3000091178	10
68	Washer	BRB 17x30-fz	3000091186	5
69	Shaft		0470826000	1
70	Cotter pin	SP 3.2x30-fz	3000427185	2
71	Bushing		3000840325	1
72	Bushing		3000840323	1
73	Plug		3000840513	1
74	Chain wheel		0418951000	1
75	Groove ring	SgA 34	3000132132	1
76	Bearing		3000111213	2
77	Clamping socket		3000252213	2
78	Angle		3000839117	1
79	Nipple pipe		9056576000	1
80	Nipple		3000969177	1
81	Nut		3000970335	1
82	Nipple		3000969347	1
83	Shock absorber		3000724151	1
84	Screw	M6S 10x55-8.8-fz	3000071502	2
85	Lock nut	L-K M6M 10-8.-fz	3000438120	2
86	Bracket		0447519000	1
87	Clamp		0447521000	1
88	Screw	M6S 10x40-8.8-fz	3000071499	2