

Mucking Loader – VK 310

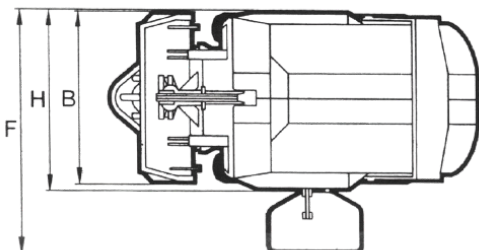
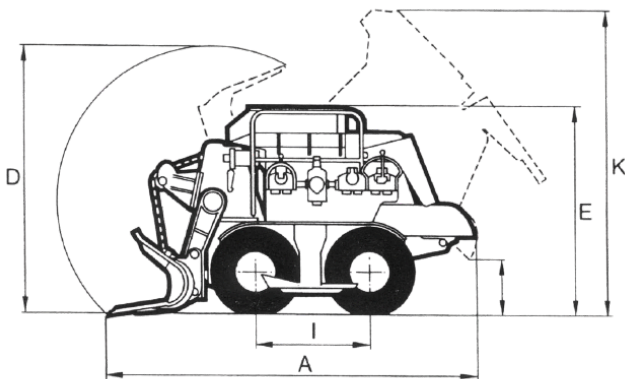
The **VK 310 Mucking Loader** technically equivalent to the Atlas Copco Cavo 310 Loader, is designed for efficient material handling in mining operations. It automates the process of filling mining chutes with raw materials, minimizing the need for manual labor. With the Vikay Mucking Loader, a single operator can effortlessly manage loading, transport, and unloading tasks. A robust air cylinder ensures powerful and reliable unloading of materials from the loader.



Features

- Four-wheel drive for smooth movement, and stepless steering
- Equipped with 4+1 rubber-tube tyre wheels
- Allows a single operator to manage loading, haulage, and dumping with ease

Model - VK 310 Loader	
Net Weight	3150 kg
Traction motor	2 x 8.5hp @ 6 kg/cm ²
Bucket operating motor	2 x 10hp @ 6 kg/cm ²
Bucket capacity	0.13m ³ 4.5 cu. ft ³
Body capacity	1m ³ 35.3 cu. ft ³
Travelling speed	1-1.4 m/sec
Air Pressure	5 - 7 kg/cm ² 71 - 100 psi
Tyre pressure	3.8 kg/cm ² 54 psi
Tyre dimension	8.25 x 12 inches
Hose Connection	1½" 38 mm
Bucket Length	1250 mm
Net Loading Capacity	0.7 m ³ /min
Ground Clearance - Loaded	115 mm
Ground Clearance - Unloaded	130 mm



(A) Bucket length – Downwards	2920 mm
(B) Bucket length	1250 mm
(D) Bucket height – Upwards	2120 mm
(E) Body height	1450 mm
(F) Width	1900 mm
(H) Width from one tyre to other	1360 mm
(I) Wheel centre distance	910 mm
(K) Height with body upwards	2410 mm