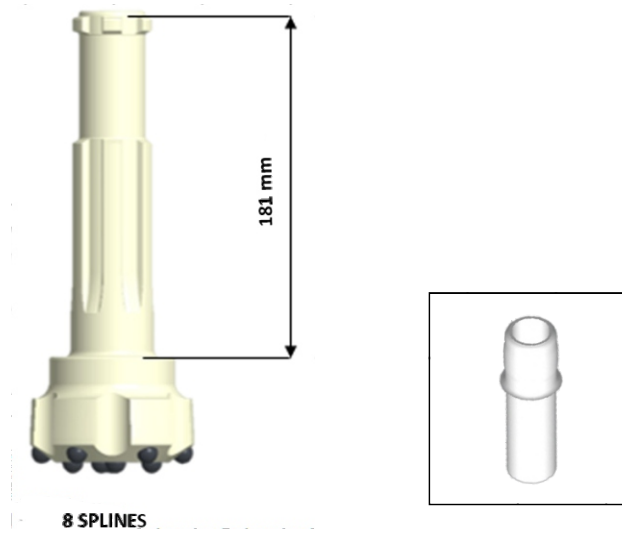
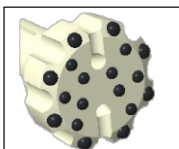


**3. 3 1/2" (90 mm) Button Bit DHD 3.5 Shank**



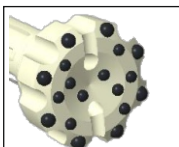
Diameter		Gauge Buttons	Button diameter (mm)		Air holes	Weight		Product No.
Inch	mm		Gauge	Face		kg	lbs	

**FLAT FACE**



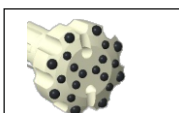
3 1/2	90	7	13	13	2	5	11	DB020309001S
4	95	7	13	13	2	5.3	11.6	DB020309501S
4 1/2	100	8	13	13	2	5.8	12.7	DB020310001S
5	105	8	14	13	2	6	13.2	DB020310501S

**CONCAVE**



3 1/2	90	7	11	13	2	5	11	DB020309002S
4	95	7	11	13	2	5.3	11.6	DB020309502S
4 1/2	100	7	13	13	2	5.8	12.7	DB020310002S
5	105	7	11	13	2	6	13.2	DB020310502S

**CONVEX**



3 1/2	90	8	11	11	2	5	11	DB020309003S
4	100	8	13	13	2	5.5	11.6	DB020310003S
4 1/2	102	8	13	13	2	5.8	12.7	DB020310203S